



SERVICE BULLETIN

Model C Service Kit

When performance is on the line, rely on AMOT parts!

Valve Overview:

AMOT Model C Thermostatic Valves are 3-way, fully automatic fluid temperature controllers. These valves are suitable for process control and industrial applications where fluids must be mixed or diverted depending on their temperatures. They are used for reliable, automatic control of fluid temperatures in turbines, compressors and engine jacket water and lubricating oil cooling systems, as well as cogeneration systems.

Maintenance & Servicing:

When properly applied and installed, AMOT Model C Thermostatic Valves require minimal maintenance. Field adjustments are not required as the operating temperature of each valve is permanently set at the factory by trained technicians. Once installed, this valve will provide years of trouble-free service.

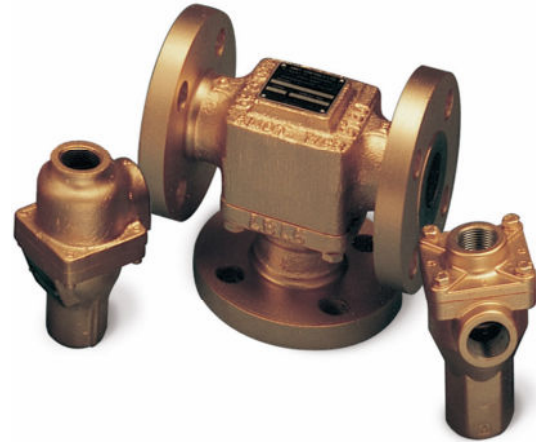
Over time, exposure to foreign chemicals and particulate matter as well as prolonged operation at extreme temperatures, pressures and flows may reduce the effectiveness of your control valve. At such time, AMOT thermostatic valves can be restored to original performance simply by installing an AMOT Thermostatic Valve Service Kit. Service Kits include all new thermostatic elements and seals and can be easily installed by unbolting the valve housing.

AMOT recommends servicing of thermostatic control valves with each regularly scheduled major overhaul of your turbine, engine, compressor or other associated equipment.

Thermostatic Service Kits may also be used for adapting valves to new service temperatures.

Service Kit Identification:

AMOT Thermostatic Valve Service Kit model numbers closely follow the valve model numbers for which they are associated.



First, identify your valve model, located on the valve nameplate. An example is shown below for a valve with model number 1CMCT15006D-RSH

Example Valve:

| A | B | C | D | E | -F |
|---|------|-----|----|---|------|
| 1 | CMCT | 150 | 06 | D | -RSH |

A – Size
 B – Valve Type (4-5 letters)
 C – Temp (°F)
 D – Element/Seal Material
 E – Leak Hole (if any)
 -F – Special (only as req'd)

For the corresponding Model C Service Kit, use the valve model, except omit the Size (A), and use only the first three digits of the Valve Type (B) and add "KIT-". The corresponding service kit becomes:

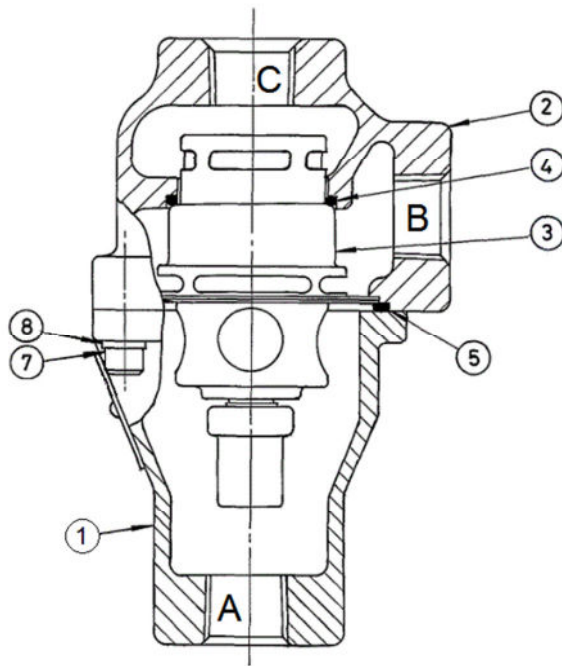
| A | B | C | D | E | -F |
|---|---------|-----|----|---|------|
| | CMCKIT- | 150 | 06 | D | -RSH |

In addition, some AMOT valves will contain "-00-AA" or "-0-AA" in the suffix location (H). These two suffixes should be omitted from the Service Kit number.

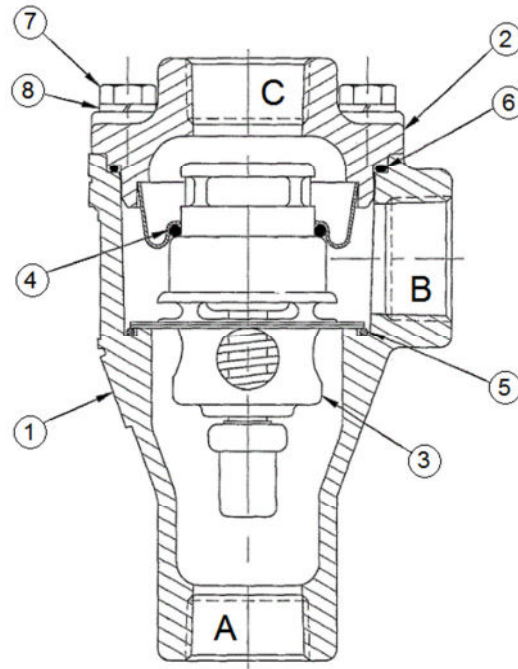
Additional Examples as follows:

| Valve Model | Corresponding Service Kit |
|----------------------|---------------------------|
| 1 1/2CFSJ11002F | CFSKIT-11002F |
| 1-1/4CCMCT12001 | CCMKIT-12001 |
| 1CMAT13006-RVF | CMAKIT-13006-RVF |
| 1CMRT08579 | CMRKIT-08579 |
| 1CMAT16006G | CMAKIT-16006G |
| 1-1/4CCMCT10001F-RRT | CCMKIT-10001F-RRT |
| 1/2CMCU11021-00-AA | CMCKIT-11021 |

Cast Iron and Bronze Versions CM & CL



Steel & Aluminum Versions CM & CL



CF similar to above, but with flanged connections.

CCM similar to above, but with two elements.

Model C Service Kit Installation:

The following instructions are for servicing a valve which has already been removed from service, cleaned and prepped. Consult the Primary Equipment OEM's Operation and Maintenance Manual for instructions on lock-out equipment, isolation and removal of the thermostatic control valve.

- 1) Remove Bolts ⑦ and separate the upper and lower housings.
- 2) Remove Element Assembly ③ and Element O-Ring Seal ④. (CCM models have two elements)
- 3) Remove Housing O-Ring and clean any foreign material from sealing surfaces.
- 4) Lubricate new Element O-Ring Seal ④ with a good grade of petroleum grease and insert in the grooved sleeve in the Upper Housing ①.
- 5) Insert Element Assembly ③ through Element Seal ④ with a twisting motion.
- 6) Install seal O-Ring ⑥ around the Element Assembly Flange
- 7) Replace Housing O-ring ⑥. (Steel and Aluminum Valve Bodies, ONLY)
- 8) Bolt together Lower Housing ① and Upper Housing ②.

Americas

AMOT Americas
8824 Fallbrook Dr
Houston, TX 77064 USA
Tel +1 (281) 940 1800
Fax +1 (713) 559 9419
Email: sales@amotusa.com

Asia Pacific

AMOT Asia Pacific
RM 4102 - 4104 United Plaza
1468 Nanjing Road West
Shanghai 200040 China
Tel: +86 (0) 21 6279 7700
shanghai@amot.com

Europe, Middle East & Africa

AMOT UK
Western Way
Bury St Edmunds
Suffolk, IP33 3SZ, United Kingdom
Tel: +44 (0) 1284 762222
info@amot.com